

**Island mounted
Flatline 100 cm
Stainless steel**



EAN 5414425076505

Energy label

▪ Energy Efficiency class (EElhood)	A
▪ Annual Energy Consumption (kWh/year) (AEChood)	57
▪ Fluid Dynamic Efficiency class (FDEhood)	A
▪ Lighting Efficiency class (LEhood)	A
▪ Grease Filtering Efficiency class (GFEhood)	F

Functions & features

▪ Control method	Push buttons
▪ Number of speeds	3 + power
▪ Automatic Power revert (minutes)	6
▪ Motor	Integrated
▪ Sound absorber	Integrated
▪ Recirculation	Optional
▪ InTouch function	Optional
▪ Auto stop	▪
▪ Delayed switch off (minutes)	10
▪ Number of grease filters	1
▪ Grease filter	7400020
▪ Grease filter cleaning indication	▪
▪ Recirculation filter cleaning indication	▪

Dimensions

▪ Product dimensions exhaust (WxDxHmin-Hmax) (mm)	1000 x 700 x 563 - 730
▪ Product dimensions recirculation (WxDxHmin-Hmax) (mm)	1000 x 700 x 679 - 860
▪ Max height optional chimney [a] exhaust (mm)	1040
▪ Max height optional chimney [b] exhaust (mm)	1350
▪ Max height optional chimney [b] recirculation (mm)	1480
▪ Advised mounting height induction hobs (Hmin-Hmax) (mm)	650 - 850
▪ Advised mounting height gas hobs (Hmin-Hmax) (mm)	650 - 850
▪ Advised mounting height ceramic hobs (Hmin-Hmax) (mm)	600 - 850
▪ Diameter outlet (mm)	150
▪ Position exhaust	Top

Lighting

▪ Functional lighting type	Led
▪ Dimmable light	▪
▪ Soft-ON/OFF	▪
▪ Total energy consumption functional light (W)	8

Airflow and noise level

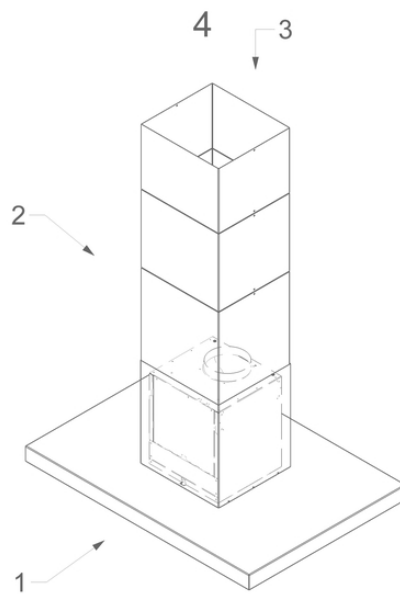
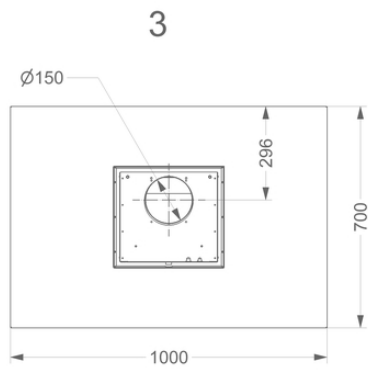
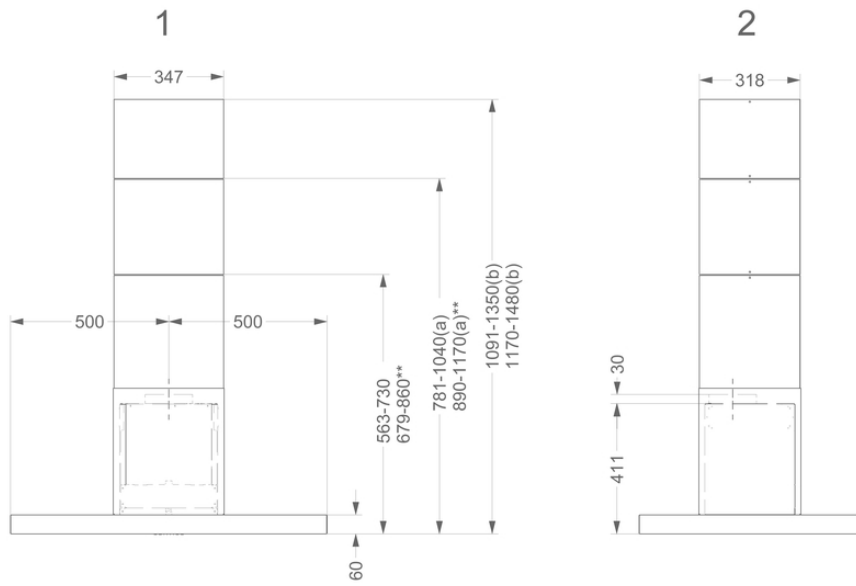
▪ Free airflow (m ³ /h)	1000
▪ Airflow (m ³ /h) measured according to EN 61591	

Airflow and noise level

▪ Sound regulation according to EN 60704-2-13	
▪ Airflow speed 1 (m ³ /h) / Max Pressure speed 1 (Pa)	216 / 314
▪ Airflow speed 2 (m ³ /h) / Max Pressure speed 2 (Pa)	296 / 472
▪ Airflow speed 3 (m ³ /h) / Max Pressure speed 3 (Pa)	451 / 531
▪ Airflow Powerspeed (m ³ /h) / Max Pressure Powerspeed (Pa)	743 / 555
▪ Sound pressure speed 1 (dB(A)) / Sound power speed 1 (dB(A))	32 / 47
▪ Sound pressure speed 2 (dB(A)) / Sound power speed 2 (dB(A))	35 / 50
▪ Sound pressure speed 3 (dB(A)) / Sound power speed 3 (dB(A))	41 / 57
▪ Sound pressure Powerspeed (dB(A)) / Sound Powerspeed (dB(A))	50 / 64

Technical specifications

▪ Maximum power	308
▪ Voltage (V)	220-230
▪ Frequency (Hz)	50
▪ Length power supply cord (m)	1,3
▪ Power consumption in stand-by-mode (Ps) (W)	0.25
▪ Net weight (kg)	38



Installation accessories

Back panel & chimney extensions

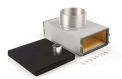
- 7640100 Chimney extension option A stainless steel
- 7640101 Chimney extension option B stainless steel

Additional accessories

- 840029 Remote control

Accessories

Recirculation kit



7640400

Recirculation set Flat'line island

Control kit



990030

Control kit for external lighting or valve

